

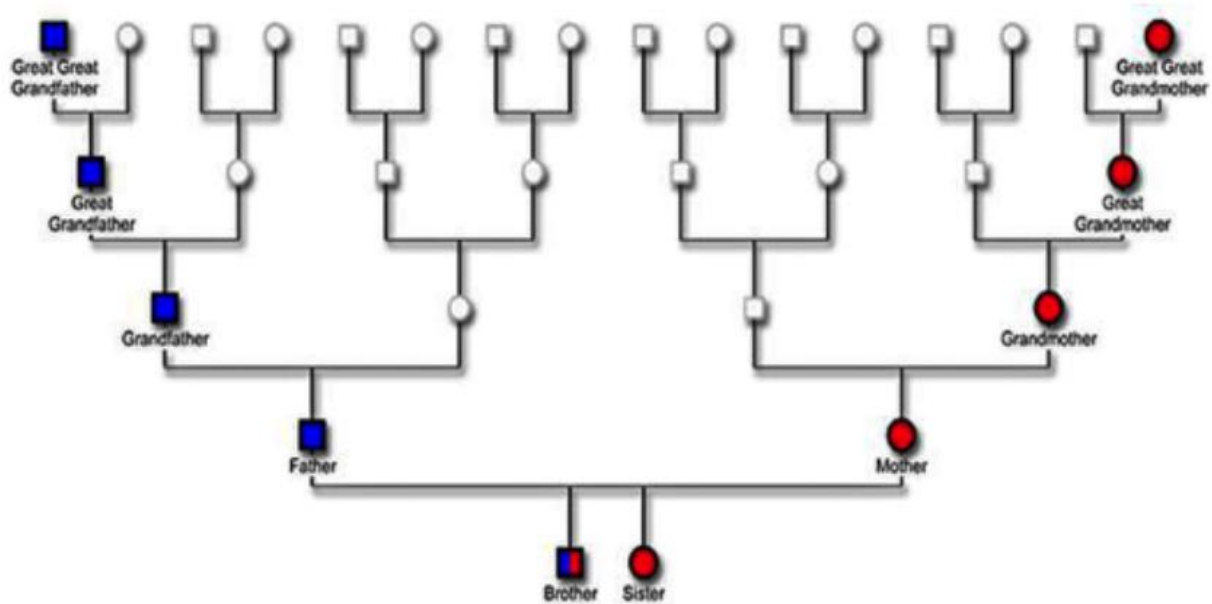
# DNA and Genealogy from the Perspectives of “Family Hunters”

DNA: Inheritance from our ancestors

Y-dna

mtdna

autosomal dna



What can you learn from each?

Y-dna

mtdna

autosomal dna

Testing Options

AncestryDNA [ancestrydna.com](https://www.ancestrydna.com)

Family Tree DNA <https://www.familytreedna.com>

23andMe <https://www.23andme.com>

Tales of Success – Or Not